



USER MANUAL

Safety storage cabinets according to EN 14470-1

BEDIENUNGSANLEITUNG

Sicherheitsschränke nach EN 14470-1

Further languages:



10 YEARS WARRANTY

Upon conclusion of an asecos service and maintenance agreement (**PREMIUM Q tariff**), you will get a warranty extension for up to 10 years for your Q-LINE safety storage cabinet.

5 YEARS WARRANTY

Upon conclusion of an asecos service and maintenance agreement (BasicPlus tari) with a fixed term of 5 years, you will get a warranty extension for a maximum of 5 years for your safety storage cabinet.

For detailed information about our warranties please visit:





Q-CLASSIC-15



Q15.195.116



Q15.195.056
Q15.195.056.R

Q-CLASSIC-30



Q30.195.116
Q30.195.116.FU.WDAS



Q30.195.086.WD
Q30.195.086.WDR
Q30.195.086.FU.WDAS
Q30.195.086.FU.WDASR



Q30.195.056
Q30.195.056.R
Q30.195.056.FU.WDAS
Q30.195.056.FU.WDASR

Q-DISPLAY-30



Q30.195.086.WDFW

Q-CLASSIC-90



Q90.195.120
Q90.195.120.FU.WDAS



Q90.195.090
Q90.195.090.FU.WDAS



Q90.195.060
Q90.195.060.R
Q90.195.060.FU.WDAS
Q90.195.060.FU.WDASR



Q90.195.120.MV
Q90.195.120.MM



Q90.135.120



Q90.195.120.ME.WDC

Q-PEGASUS-90



Q90.195.120.WDAC



Q90.195.090.WDAC



Q90.195.060.WDAC
Q90.195.060.WDACR

Q-PHOENIX-90



Q90.195.120.FD



Q90.195.060.FD



asecos GmbH
Customer service
Weierfeldsiedlung 16–18
D-63584 Gründau

Fax: +49 60 51 - 92 20-10
email: service asecos.com

YOUR PERSONAL DOCUMENTATION TO THE asecos SAFETY CABINET

Dear Customer,

you have made a decisive investment in safety for your company by purchasing this asecos safety storage cabinet. You now own an innovative product made of top-quality materials guaranteeing the highest quality standards.

asecos safety storage cabinets have complete authorisation documents. We archive the authorisation documents for every individual cabinet, keeping them ready for you should you ever need them (e.g. for a works inspection or similar). Simply request them using this form.

Tear of or copy that page and return to us by fax with your address and serial number of the cabinet on it.

Yours sincerely
asecos GmbH

Contact

Company		
<input type="text"/>		
Street	Postal code	Town
<input type="text"/>	<input type="text"/>	<input type="text"/>
Name of contact person		
<input type="text"/>		
email	Phone No.	
<input type="text"/>	<input type="text"/>	
Serial numbers of safety storage cabinets		
<input type="text"/>	<input type="text"/>	<input type="text"/>
<input type="text"/>	<input type="text"/>	<input type="text"/>
<input type="text"/>	<input type="text"/>	<input type="text"/>
<input type="text"/>	<input type="text"/>	<input type="text"/>

OPERATING INSTRUCTIONS

Dear customer,

Thank you very much for purchasing a safety storage cabinet from our company, with which you have made a decisive investment in the safety within your company. Our safety storage cabinets make the storage of hazardous materials at the workplace safe and convenient for you.

Please read these operating instructions very carefully. Get to know the advantages and simple operability of our safety storage cabinets in detail. This simplifies the daily handling of hazardous materials for you.

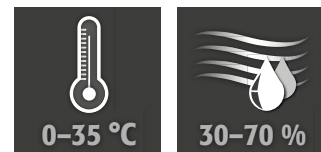
Many thanks
Your asecos team

1. NOTES • GUIDELINES • GUARANTEE	5
1.1. General safety notes	5
1.2. Guarantee	5
1.3. Cabinet Details	5
1.4. Marking and symbols on the cabinet	6
2. TRANSPORT	6
2.1. General facts	6
2.2. Tilting the cabinet	6
2.3. Dismantling of the transport packaging	7
2.4. In-plant transport	7
2.5. Titling onto the side wall	7
2.6. Q-Mover	8
3. ERECTION • COMMISSIONING • FUNCTION	8
3.1. Alignment Of The Cabinets	8
3.2. Commissioning	9
3.3. Anti-Tilt Device	9
4. OPENING AND CLOSING MECHANISMS	10
4.1. Opening the cabinet	10
4.2. Closing the cabinet	10
4.3. Locking	10
4.4. Automatic door closing system (TSA)	10
5. INTERIOR FITTINGS	11
5.1. Bottom collecting sump	11
5.2. Perforated insert	12
5.3. Shelves (height-adjustable)	12
5.4. Tray shelves (height-adjustable)	12
5.5. Metal free tray shelves	12
5.6. Grid shelves (height adjustable)	12
5.7. Drawers	13
5.8. Storage box	14
5.9. Leaks	15
6. STORAGE	15
6.1. Fire-protected lead-through	15
7. EARTHING	15
7.1. Ground connection	16
7.2. Grounding PREMIUM	16
7.3. Grounding the interior	16
8. VENTILATION	17
9. FIRE • DISPOSAL	17
9.1. Opening the cabinet after the fire	17
9.2. Disposal	17
10. SAFETY CHECKS	17
10.1. In general	17
10.2. Wearing parts	18
11. TECHNICAL DRAWING	20
12. TECHNICAL DATA	21
12.1. Table with technical data	21
12.2. Table with storage capacities	22

1.1. GENERAL SAFETY NOTES

- Observe applicable statutes and regulations, and the notes in these operating instructions, when handling hazardous materials
- Work on the electrical system is to be carried out only with the power turned off and only by qualified electricians – refer here to the regulations of the local electricity supply company.
- The on-site installation conditions are to be observed (e.g. bolting the cabinets to the building).
- The instructions of the supervisory engineering department must be followed.
- Observe accident prevention regulations and workplace ordinance
- **Ensure that the necessary safety checks are only carried out by authorised staff using original spare parts**
- Only use the cabinet after having been properly instructed; access is to be forbidden to unauthorised persons.
- The pivoting area of the doors is to be kept free at all times; doors/drawers are to be kept closed
- By assigning trained/authorised technical personnel you can prevent the malfunctions, damage and corrosion damage that result from inappropriate transport.
- Observe the upper limits for stored quantities, loading etc.
- Containers with a volume larger than that of the bottom collecting sump may not be placed inside the cabinet; spilt hazardous materials are to be collected immediately and removed
- Vessels containing aggressive chemicals (acids and alkalis) are to be kept in special cabinets for acids and alkalis or on shelves for acids and alkalis
- To avoid explosive atmospheres and harmful vapours, sufficient technical ventilation is strongly recommended. Please observe the instructions for connection to an exhaust air system.
- Before storing such materials, check that the cabinet's surface is resistant to the chemicals.
- Before the initial commissioning, the safety storage cabinet is to be examined by the user for possible damage.

Set-up requirements



1.2. GUARANTEE

The guarantee for this product is agreed between you (the customer) and your dealer (the seller). As the manufacturer, asecos guarantees the products listed in the operating instructions for a period of 24 months from the date of delivery. All model safety equipment are subject to a compulsory annual inspection by specialised staff authorised by the manufacturer. Otherwise the customer's guarantee claim against the manufacturer expires.

1.3. CABINET DETAILS

A complete overview of the models can be found at the start of the operating instructions.

Cabinet data: logbook (included with the cabinet)
Technical drawing: see appendix
Technical data: table in appendix

Q-LINE

All cabinets are used for the safe, passive storage of flammable liquids in work rooms in accordance with applicable national regulations.

Modell Q90.195.120.ME.WDC suitable for the safe, passive storage of flammable metal powders

These models are tested, certified and labeled in accordance with the requirements of EN 14470-1.

- Models Q15 = fire resistance of 15 minutes
- Models Q30 = fire resistance of 30 minutes
- Models Q90 = fire resistance of 90 minutes

Models Q30.195.xxx.FU.WDAS and Q90.195.xxx.FU.WDAS

Additionally tested, certified and marked according to the requirements of FM 6050 and UL(C) 1275.

Model versions .MV and .MM:

Cabinet interior with vertical or vertical and horizontal partition. Enables the separate storage of hazardous substances in a safety cabinet in two or four compartments. **Please note:** the separate storage of different hazardous substances in the safety cabinet takes place without taking into account other fire protection requirements.

1.4. MARKING AND SYMBOLS ON THE CABINET

Various stickers with different symbols are attached to the cabinet. An explanation of the individual symbols and illustrations is provided below.



1 Prohibition sign: No open flame



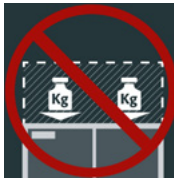
2 Mandatory sign: Refer to instruction manual/booklet



3 Mandatory sign: Keep doors closed



4 Recommendation: Connection to a technical ventilation system is recommended.



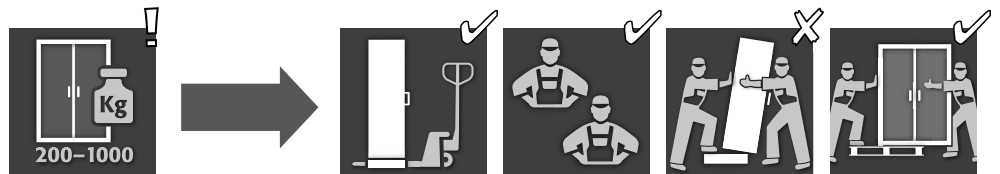
5 Load is prohibited: No additional cabinet may be placed on the cabinet ceiling.



6 Load permitted: An additional cabinet may be placed on the cabinet ceiling.

2. TRANSPORT

2.1. GENERAL FACTS



- In principle, when delivered, the Q-LINE cabinets can be transported upright, tied up and secured against slipping to the final installation location using the integrated transport base with a pallet truck. For reasons of transport technology, the following cabinets in connection with different transport packaging are delivered on an additional transport pallet.

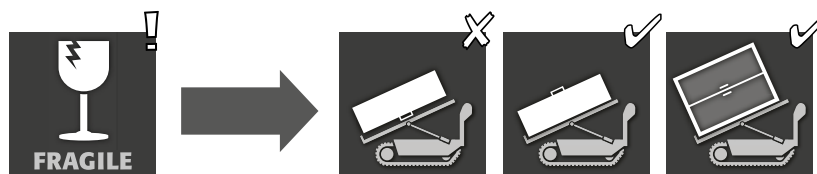
Model	Q90			Q15 / Q30		
Cabinet width	1193	893	599	1164	864	564
Packaging BASIC	–	–	✓	–	–	✓
Packaging MEDIUM	–	–	✓	✓	✓	✓
Packaging HEAVY DUTY	–	–	✓	✓	✓	✓



CAUTION:

Transport the cabinet in an upright position on a pallet truck, tied and secured against slipping, until the final place of installation is reached. The transport locks in the door joints may only be removed directly at the place of installation! Inappropriate transport can lead to concealed damage to the fire protection insulation! We can only guarantee the necessary quality if the cabinet is transported to the place of its use by our specially trained staff.

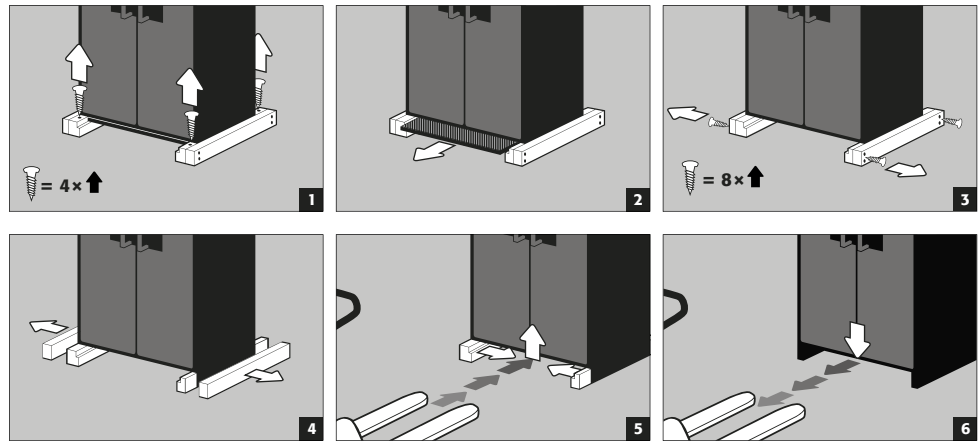
2.2. TILTING THE CABINET



CAUTION:

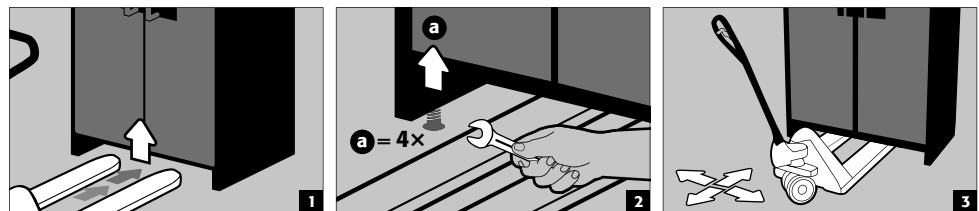
Tilting the cabinet may only be done without jolts!

2.3. DISMANTLING OF THE TRANSPORT PACKAGING



2.4. IN-PLANT TRANSPORT

- In-plant transport is also possible without transport locks (inserted as standard in the door joints)



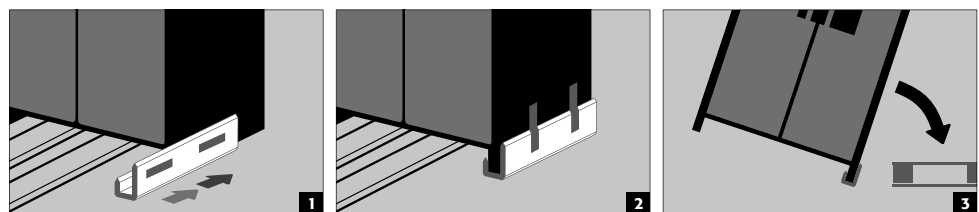
ATTENTION
Q-LINE type 90, width 600 mm
 The clearance drive-in width of the base is 520 mm.

Q-LINE type 15/30, width 560 mm
 The clearance drive-in width of the base is 406 mm.

You must observe this when selecting a pallet truck! Appliances with a carrying width larger than the drivein width may not be used.

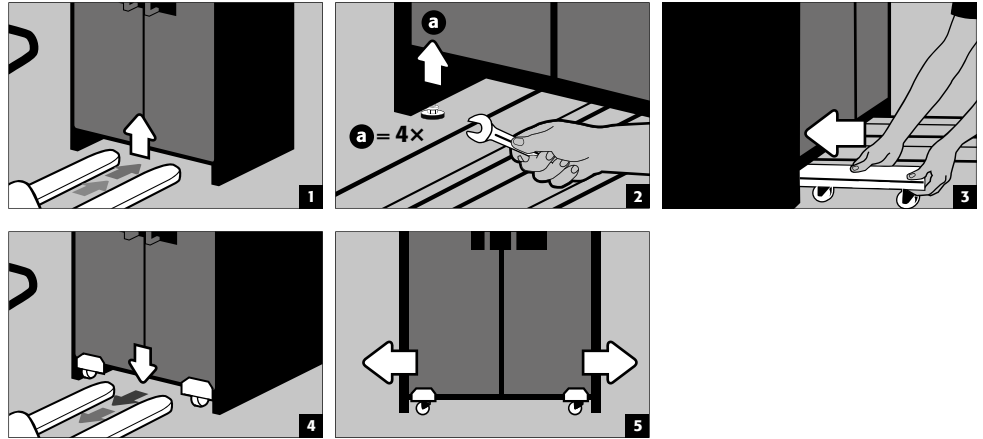
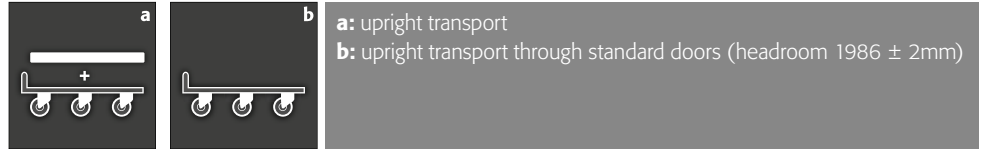
2.5. TITLING ONTO THE SIDE WALL

- Titling onto the side wall is only possible with the optionally available tilting bracket (order no. 29556).



2.6. Q-MOVER

- Order no. 30037, available from your authorised dealer

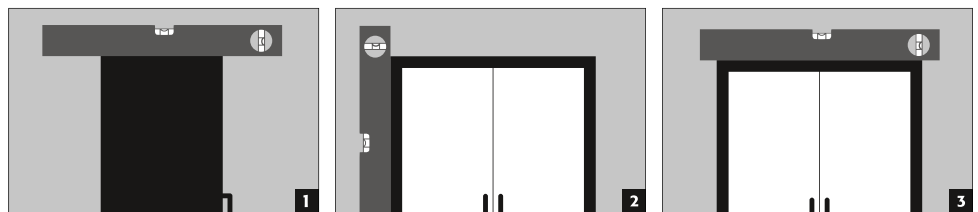
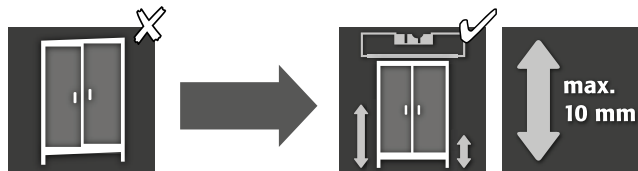


CAUTION:

Written notification of any damage to the cabinet must be given immediatly!

3. ERECTION - COMMISSIONING - FUNCTION

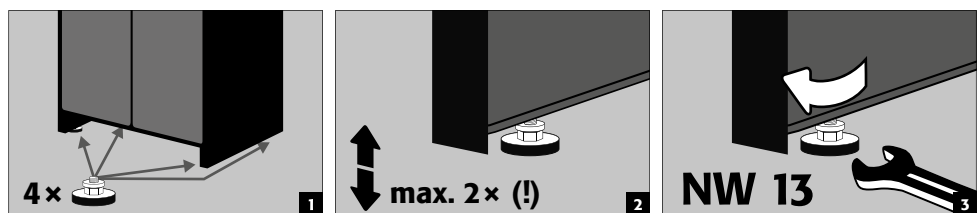
3.1. ALIGNMENT OF THE CABINETS



CAUTION:

Door elements must not scrape against the fire prevention seals in the fold of the door when opening and closing! Doors with an automatic closing mechanism must close automatically from every position and the lock must be able to lock!

Q-CLASSIC-90
Q-PEGASUS-90
Q-PHOENIX-90

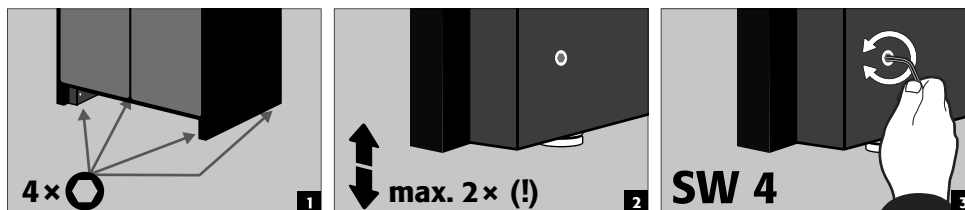




After alignment, the transport base can be closed with an optionally available base cover.

Cabinet width	1193 mm	893 mm	599 mm
Order No.	30036	30069	30112

Q-CLASSIC-15/30
with adjusting aids in plinth



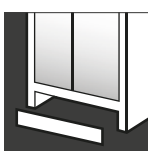
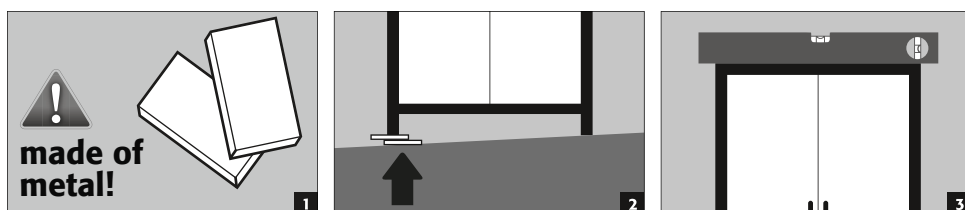
After alignment, the transport base can be closed with an optionally available base cover.

Cabinet width	1164 mm	864 mm	564 mm
Order No.	31005	31010	31004



CAUTION
The adjustment aids are integrated in the base and can only be ordered in addition with the cabinet.
Retrofitting on site is not possible.

Q-CLASSIC-15/30
without adjusting aids



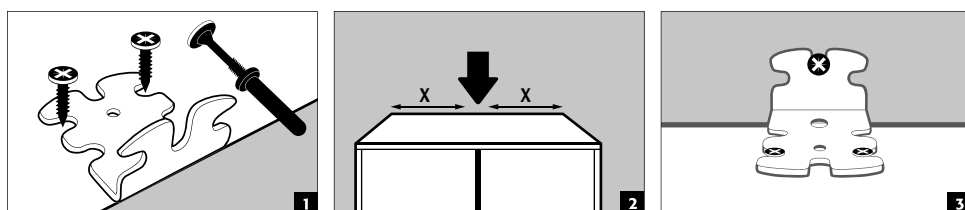
After alignment, the transport base can be closed with an optionally available base cover.

Cabinet width	1164 mm	864 mm	564 mm
Order No.	31925	31924	31923

3.2. COMMISSIONING

- Before putting into operation for the first time, the user must carry out an examination of the safety storage cabinet for possible damage, such as defective or loose sealing elements, correct alignment and perfect functioning of the door elements.
Use the cabinet and accessories only if they are in an orderly condition.

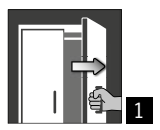

3.3. ANTI-TILT DEVICE




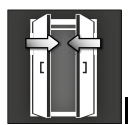



CAUTION
If the cabinets are equipped with more than 6 drawers or more than one heavy-duty drawer, they must be securely attached to the building wall using the tilt protection provided. Depending on the nature of the wall, suitable fastening material, which may differ from the scope of delivery, must be selected

4. OPENING AND CLOSING MECHANISMS

4.1. OPENING THE CABINET

			
Q-LINE			
Q-CLASSIC-15	✓		1 Manual opening of the individual doors 2 For two-door cabinets: Manual opening of both doors with only one hand. The cabinet is equipped with AGT.
Q-CLASSIC-30	✓		
with door version WDC	✓		
with door version WDAS	✓		
Q-DISPLAY-30	✓		
Q-CLASSIC-90	✓		
with door version WDC	✓		
with door version WDAS	✓		
Q-PEGASUS-90		✓	
Q-PHOENIX-90	✓		

4.2. CLOSING THE CABINET

						
Q-LINE						
Q-CLASSIC-15	✓					1 Doors closable only by hand 2 Doors permanently self-closing or self-closing after release of the doors from the arresting system 3 Automatic door closing system TSA Other features 4 Doors with open-arrest system 5 Thermal release: in the case of fire the doors close automatically
Q-CLASSIC-30	✓					
with door version WDC		✓				
with door version WDAS	✓			✓		
Q-DISPLAY-30	✓					
Q-CLASSIC-90	✓					
with door version WDC		✓				
with door version WDAS	✓			✓		
Q-PEGASUS-90			✓	✓	✓	
Q-PHOENIX-90	✓			✓	✓	



CAUTION:

If the doors not longer latch in any position, then the fusible link of the thermal release has tripped. **The cabinet is to be returned to its delivery condition immediately in order to avoid malfunctions.**

4.3. LOCKING



Q-LINE TYPE 90
CYLINDER LOCK (suitable for master key systems) with locking status indicator



Q-LINE TYPE 30 AND 15
CYLINDER LOCK (suitable for master key systems)



ATTENTION:

The owner/user must ensure that all doors are kept closed whenever the contents of the cabinet are not being accessed. In general, it must be noted that the cabinets do not possess an emergency unlocking facility. This means that persons trapped inside the cabinet cannot free themselves!

4.4. AUTOMATIC DOOR CLOSING SYSTEM (TSA)



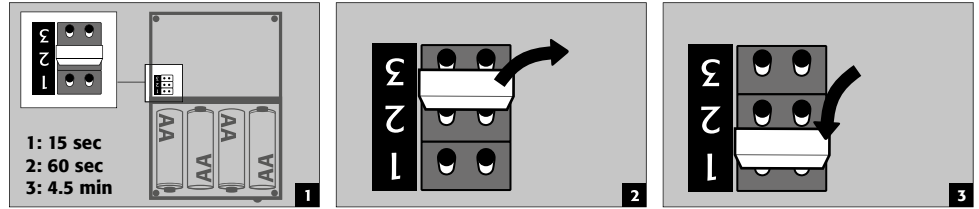
CAUTION:

The doors close automatically. The time interval until the doors close can be set individually by means of a jumper (preset: 60 seconds). Do not push the doors to close by hand, since this can lead to damage to the mechanism!

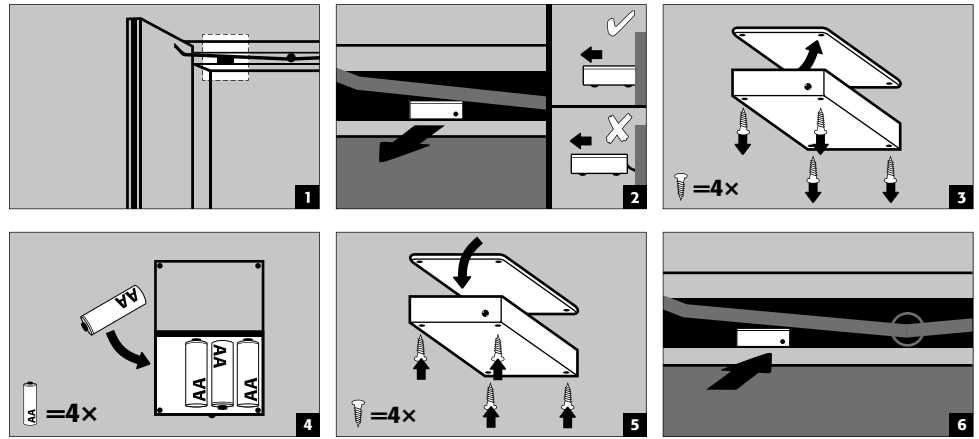
Sequence



Changing the closing times with the aid of the jumper



Battery replacement



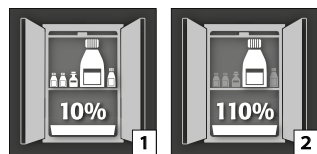
CAUTION:
The electrical cable on the housing may not come into contact with the locking linkage of the cabinet!

5. INTERIOR FITTINGS



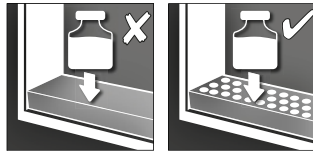
CAUTION:
Loose parts (e.g. insertable sumps) must always be fully installed/inserted in order to ensure secure closing of the cabinet doors in case of fire.

5.1. BOTTOM COLLECTING SUMP



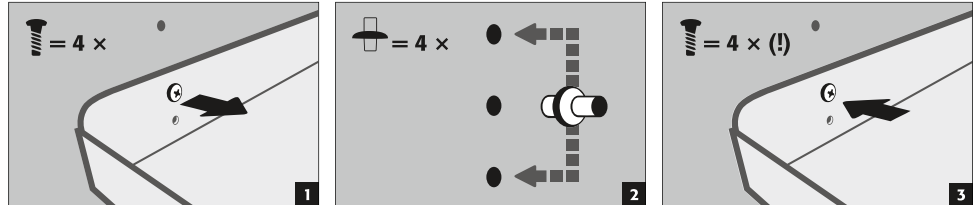
According to EN 14470-1: The bottom collecting sump must be able to hold a minimum volume of 10 % of all the containers stored in the cabinet [1] or at least 110 % of the volume of the largest single container [2] , whichever of these volumes is larger.

5.2. PERFORATED INSERT

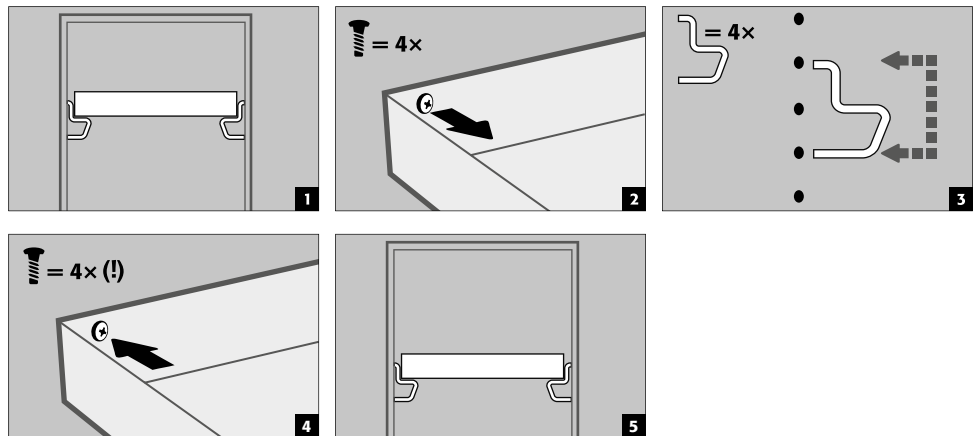


For use as a storage level in the bottom collecting sump

5.3. SHELVES (HEIGHT-ADJUSTABLE)



5.4. TRAY SHELVES (HEIGHT-ADJUSTABLE)



5.5. METAL FREE TRAY SHELVES

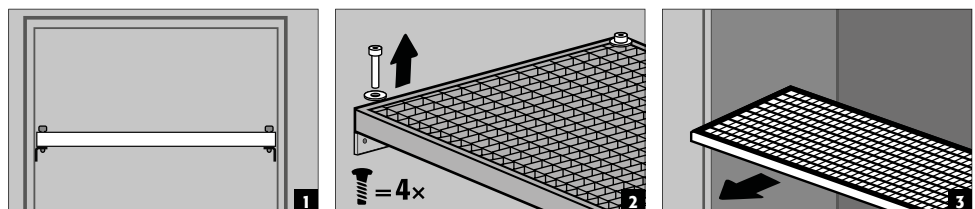
- Suitable for storing small quantities of flammable, slightly aggressive hazardous substances
- The tray shelf is installed in the cabinet in fixed positions by the manufacturer. The PP plastic sump is placed on the shelf and secured against pulling out.

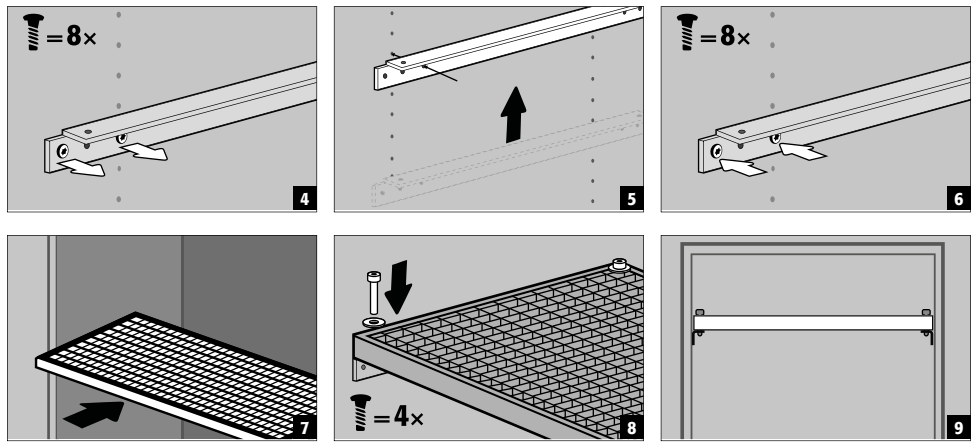


CAUTION:

The height of metal-free tray shelves in safety storage cabinets may only be adjusted on site by authorized asecos employees, as further pre-assembly work is necessary for this!

5.6. GRID SHELVES (HEIGHT ADJUSTABLE)



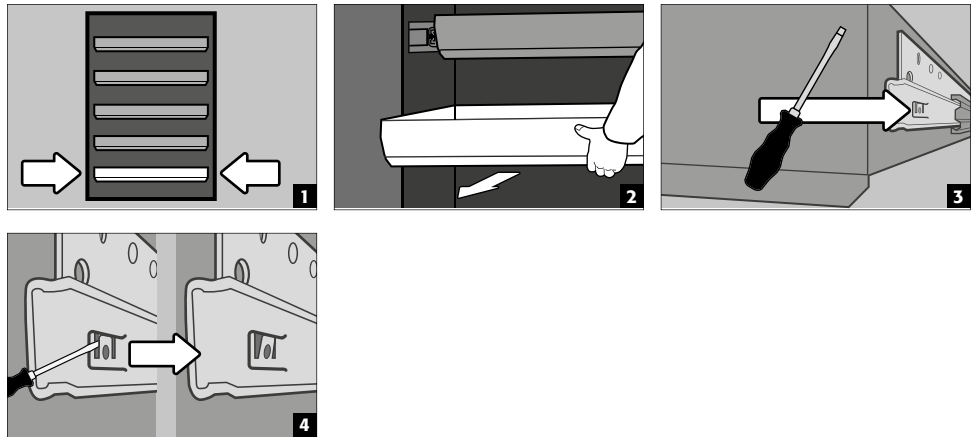


5.7. DRAWERS



Q-LINE models with carcass width 120 or 90 cm (version without dividing wall)
 Before first use and loading, the bottom drawer must be additionally secured against unintentional removal.

Securing the lowest drawer against possible lifting out

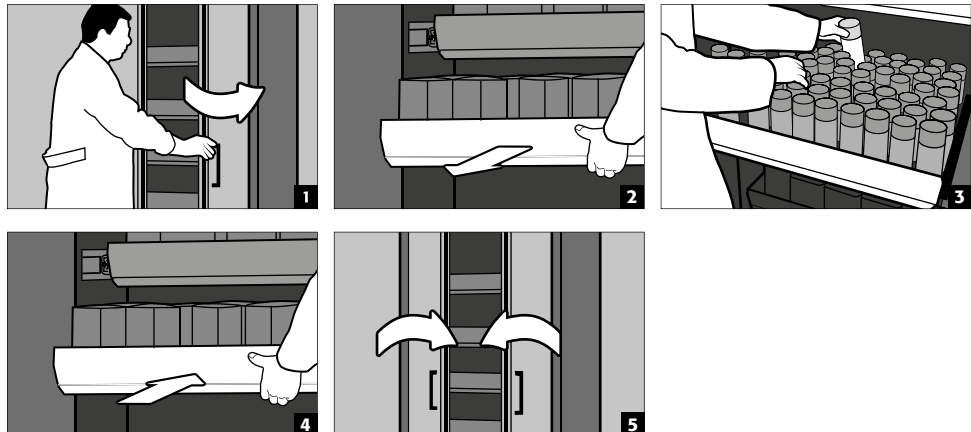


CAUTION:
 Depending on the number, the drawers are installed at the factory in fixed positions in the cabinet. Subject to technical feasibility, special classifications are possible at an additional cost.

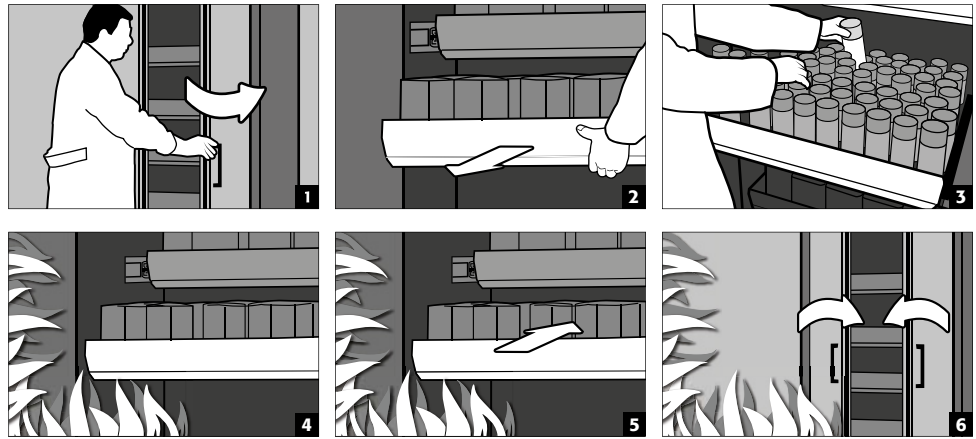
2-door cabinet models

- **Standard operation:** Pull the drawer out of the cabinet by hand and push it in again
- **Event of fire:** thermal release, pulled out drawer is automatically drawn into the cabinet

Normal operation

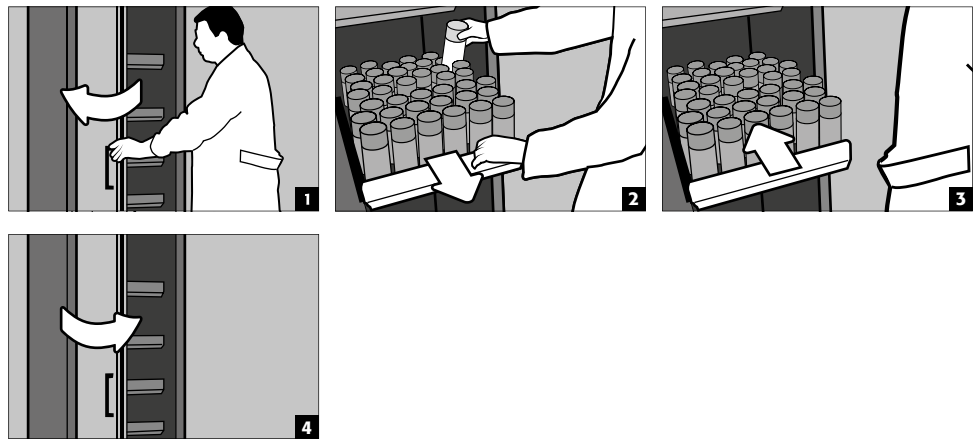


Event of fire



1-door cabinet models

- **Standard operation:** Pull the drawer out of the cabinet by hand. As soon as the drawer is released, it automatically retracts back into the cabinet with a time delay.



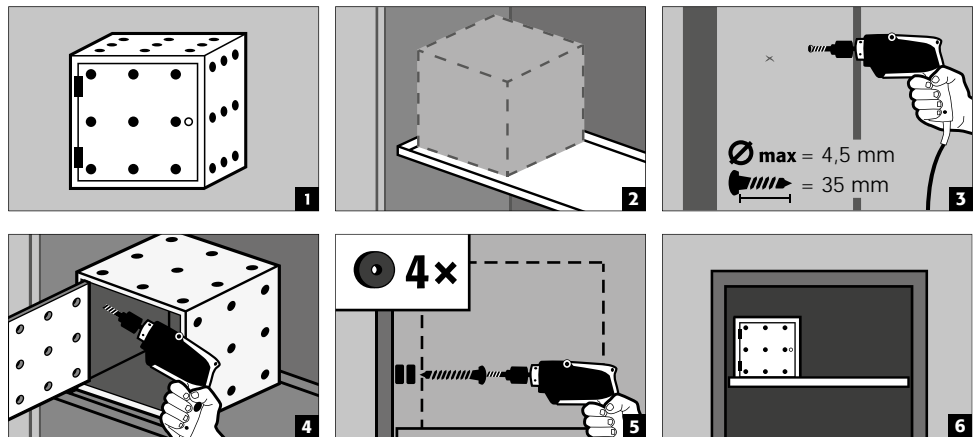
CAUTION:

The height of the drawers in safety storage cabinets may be adjusted only by authorised asecos employees, since the safe retraction of the drawers in case of fire must be guaranteed!

5.8. STORAGE BOX

Separately lockable, for the separate storage of small quantities of chemicals in the cabinet.

- The storage box must be placed on a shelf and is screwed to the side wall at the factory. The top shelf in the cabinet is used as standard for installation.

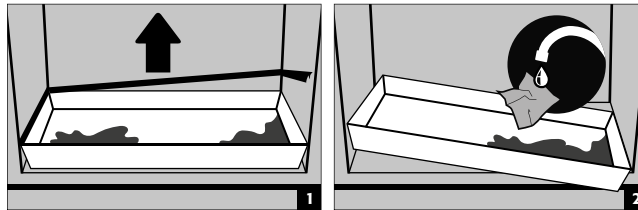


5.9. LEAKS



PLEASE NOTE

Liquid in the bottom collecting sump / drawer and in the sump of pull-out tray, must be taken up immediately and using suitable means. The choice of the means is your own responsibility, depending on the leaked chemical.



6. STORAGE

For passive storage of flammable liquids in work rooms (see point 1.3)

- Vessels containing aggressive chemicals (acids/alkalis) are to be kept in special cabinets for acids and alkalis or on shelves for acids and alkalis.



CAUTION:

- Stored corrosive liquids can impair the function
 - › of the shut-off devices for the supply and exhaust air
 - › of self-closing in the event of fire

Model Q90.195.120.ME.WDC

- for passive storage of flammable metal powders in work rooms

6.1. FIRE-PROTECTED LEAD-THROUGH

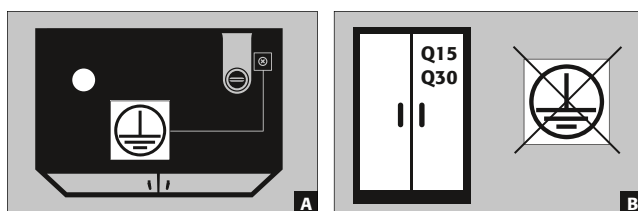
The optionally available fire protection lead-through enables pipelines, hoses and cables to be carried through in compliance with the tested fire resistance of the safety cabinet.

Please do not hesitate to contact us for information on the permissible lead-through areas, maximum permissible diameter of the cables and further information.

7. EARTHING



An earth connection may be necessary, depending on the customer-specific use of the safety storage cabinet. The decision regarding this is taken on the basis of a risk analysis by the customer.

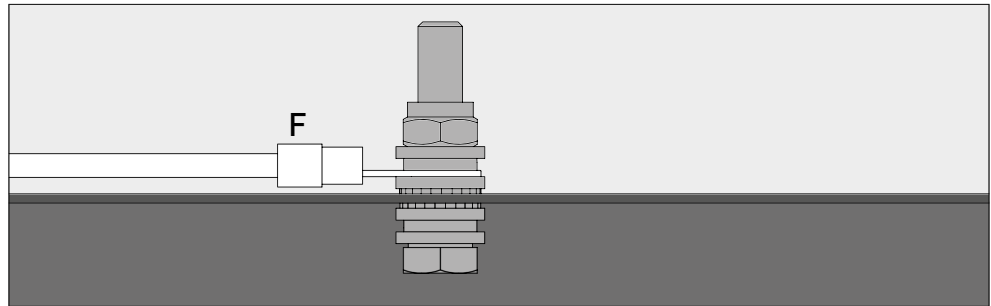
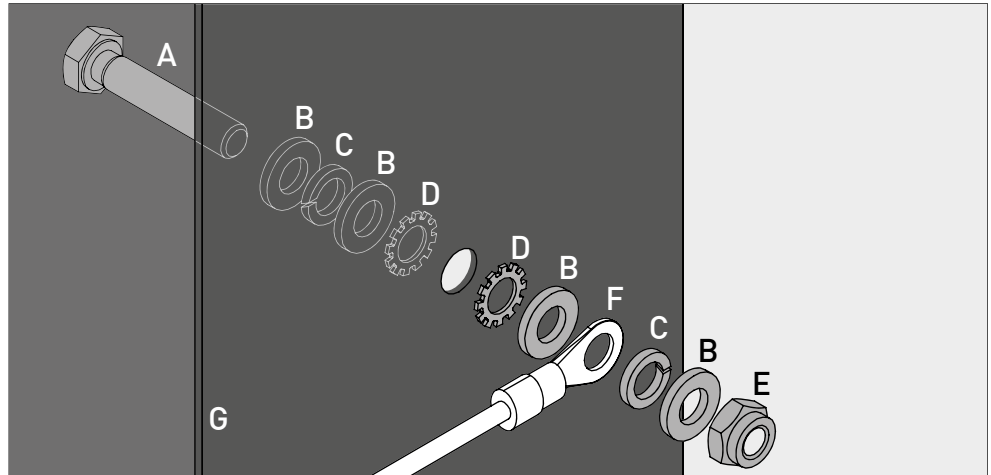


- **A:** headboard
- **B:** The Q15 / 30 models cannot be connected to an equipotential bonding system, as the cabinet body is not a conductive metal structure.

7.1. GROUND CONNECTION

All models have an earthing connection. The cabinet body (side and top panels) is metallically conductively connected to each other via the earthing connection. The earthing connection is prepared for the creation of the potential equalisation on site.

- **Q-LINE 90:** is enclosed with the product and must be mounted on site at the appropriate location on the headboard



Legende	
A 1 × screw M6×30	E 1 × nut with clamping part
B 4 × washer Ø 6,4	F earthing wire with ring cable lug (on-site connection)
C 2 × spring washer Ø 6,4	G metal part of the safety storage cabinet
D 2 × serrated lock washer Ø 6,4	

7.2. GROUNDING PREMIUM

Only available in combination with cabinet for factory assembly.

Optionally, the wardrobes are equipped as follows for an additional charge:

Q-LINE type 90

Additional metallic conductive connection of the door panels, door handles and baseboard with the cabinet body

- Models with hinged door(s): Article 32505 (HFE.28688)
- Models with folding door(s): Article 35898 (HFE.31165)

7.3. GROUNDING THE INTERIOR

Optionally, the cabinets can be equipped with an earthing connection for the interior fittings at an extra charge.

Q-LINE type 90

- Earthing lug inside with connection to the central earthing connection point on the cabinet ceiling incl. one earthing lead incl. pick-up terminal - article 28056 (HFE.11051)
- Additional earthing cable incl. tapping terminal for earthing another storage level - article 31710 (HFE.12704)

Q-LINE type 30

- Earthing lug inside with connection to the central earthing connection point on the cabinet ceiling incl. one earthing lead incl. pick-up terminal - article 34536 (HFE.30170)
- Additional earthing cable incl. tapping terminal for earthing another storage level - article 33987 (HFE.29665)

8. VENTILATION



CAUTION

The fire protection valves near the supply and extraction air connections are safety and maintenance-relevant components.

In order to check the correct operation or to replace a defective element, please ensure that flexible connecting hoses or sliding pieces are used to connect to an extraction system in order to ensure simple dismounting and re-mounting of the extraction air connection.

- If installed on an exhaust system, a check must be carried out to ensure proper connection to the system (e.g. using a smoke tube)
- All models can be connected to a technical exhaust system via the exhaust connector. Please see the respectively applicable national regulations for the specified air recirculation rate, maximum pressure losses and exhaust air ducts.



CAUTION:

In general these models can be operated without technical ventilation. The direct environment of the cabinet can be an explosive zone in this case. If the cabinet is to be operated without an exhaust connection, the user must attach a marking to it. With some models the supply and exhaust connectors are not pre-mounted. They are included with the cabinet and **must be screwed** to the openings on the top section.

9. FIRE - DISPOSAL

9.1. OPENING THE CABINET AFTER THE FIRE



ATTENTION:

Only authorised personnel (e.g. fire brigade) may open the cabinet!

Depending upon the duration of the fire an ignitable vapour/air mixture may have formed; therefore remove all sources of ignition within a 10 metre radius of the cabinet before opening it.

Use only spark-free tools !

Open the cabinets with extreme caution !

9.2. DISPOSAL



The models can be disposed of once they have been dismantled and the materials sorted.

10. SAFETY CHECKS

10.1. IN GENERAL

As safety equipment the cabinets have to be checked for safety at least once per year. The next checking date can be taken from the service sticker on the outside of the door. This annual check can be carried out with the necessary care, and for securing your warranty claims in the case of fire, only by an authorised asecos employee (refer also to our service brochure regarding this).

In addition, we recommend that you carry out a daily and monthly functional check:

Daily functional check

- applies to the spill containment sumps (collect and remove any leakages)

- **Monthly functional check**
 - perfect function of the doors:
 - hinges
 - locking system
 - door closer
 - door open arrest system
 - correct seating and condition of the fire protection seals

Case of damage

In case of damage please contact your dealer in order to have the cabinet repaired using original spare parts. The cabinets can be cleaned with a mild household cleaner and a soft cloth.

10.2. WEARING PARTS

Various safety-related components of the safety storage cabinet are wearing parts and must be replaced at regular intervals by asecos Service. A list of the parts affected for your safety cabinet is available on request from service@asecos.com.

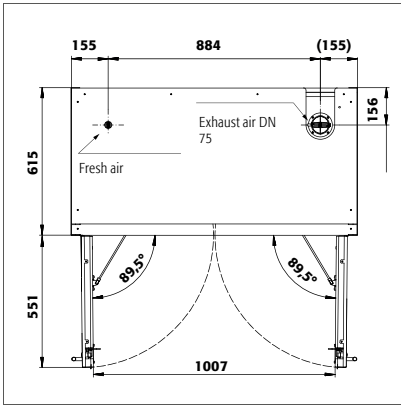
**CONTACT:**

In the case of defects or complaints about our products (within and also after the warranty period), and for requesting safety checks or taking out a service contract, please contact our service hotline on:

Tel: +44 1785 22 70-90 | info@asecos.co.uk (for great Britain and Ireland)

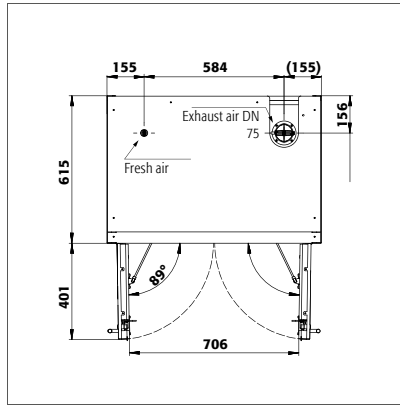
Tel: +49 1805 92 20 92 | service@asecos.com (international)

11. TECHNICAL DRAWING



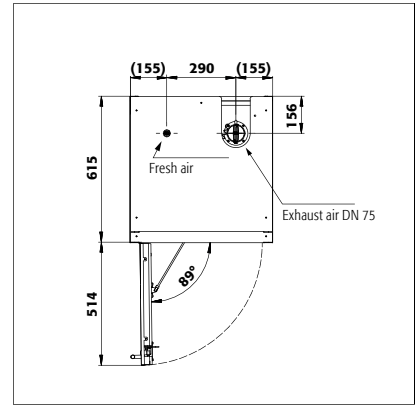
Q90.195.120
Q90.195.120.MM
Q90.195.120.WDAC
Q90.135.120

Q90.195.120.MV
Q90.195.120.FU.WDAS
Q90.195.120.ME.WDC



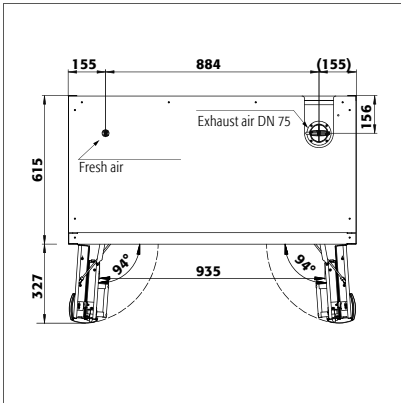
Q90.195.090
Q90.195.090.WDAC

Q90.195.090.FU.WDAS

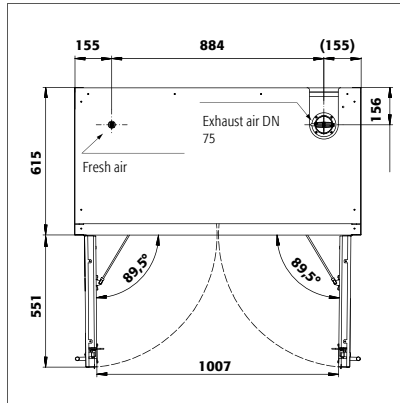


Q90.195.060
Q90.195.060.FU.WDAS
Q90.195.060.WDAC

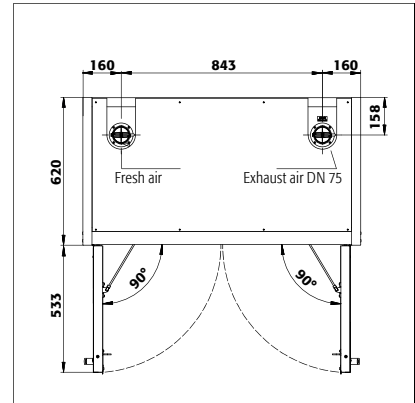
Q90.195.060.R
Q90.195.060.FU.WDASR
Q90.195.060.WDACR



Q90.195.120.FD

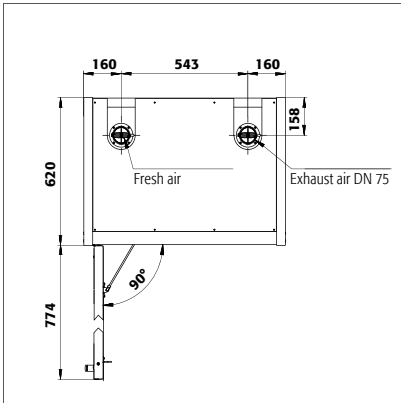


Q90.195.060.FD



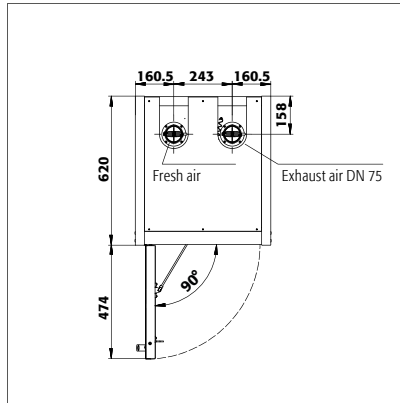
Q30.195.116
Q15.195.116

Q30.195.116.FU.WDAS



Q30.195.086.WD
Q30.195.086.WDPW
Q30.195.086.FU.WDASR

Q30.195.086.WDR
Q30.195.086.FU.WDAS



Q30.195.056
Q30.195.056.FU.WDAS
Q15.195.056

Q30.195.056.R
Q30.195.056.FU.WDASR
Q15.195.056.R

12.1. TABLE WITH TECHNICAL DATA

The surface load is calculated by dividing the total weight of the cabinet (empty cabinet plus load) by its loading area. This is calculated by multiplying the width of the cabinet by the depth (sum of the depth of the cabinet and 1000 mm of space in front of it). The specification of the surface load in the operating instructions is a theoretical value, as the specification of the load represents the maximum permissible value for the cabinet construction. The calculation of the individual surface load must always be based on the actual load (weight of the interior fittings and weight of the stored containers).

EXAMPLE of the theoretical surface load calculation model Q90.195.120:

Weight of cabinet	424 kg
Load:	600 kg
Working area:	1200 mm × (615+1000) mm
Calculation:	$\frac{424+600 \text{ kg}}{1,2 \text{ m} \times 1,615 \text{ m}} = \frac{1024 \text{ kg}}{1,938 \text{ m}^2} = 529 \text{ kg/m}^2$

Key for "Technical data" table

- | | |
|---------------------------------|--|
| 1 Dimensions W x D x H external | 5 Maximum load (kg) |
| 2 Internal dimensions W x D x H | 6 Distributed load (kg/m ²) |
| 3 type | 7 Volume with 10 times air change (m ³ /h) |
| 4 Weight of empty cabinet(kg) | 8 Differential pressure (10 times air change EK5/AK4) (Pa) |

Q-LINE								
	1	2	3	4	5	6	7	8
Q90.195.120	1193 x 615 x 1953 mm	1050 x 522 x 1647 mm	90	424	600	531	9	5
Q90.195.120.MV	1193 x 615 x 1953 mm	left: 450 x 522 x 1647 mm right: 450 x 522 x 1647 mm	90	454	600	595	9	5
Q90.195.120.MM	1193 x 615 x 1953 mm	all compartments: 450 x 522 x 810 mm	90	460	600	531	9	5
Q90.195.120.WDAC	1193 x 615 x 1953 mm	1050 x 522 x 1647 mm	90	424	600	531	9	5
Q90.195.120.FD	1193 x 615 x 1953 mm	1050 x 522 x 1647 mm	90	424	600	531	9	5
Q90.195.120.FU.WDAS	1193 x 615 x 1953 mm	1050 x 522 x 1647 mm	90	424	600	531	9	5
Q90.195.120.ME.WDC	1193 x 615 x 1953 mm	1050 x 522 x 1647 mm	90	424	600	531	9	5
Q90.195.090	893 x 615 x 1953 mm	750 x 522 x 1647 mm	90	343	600	654	6	5
Q90.195.090.WDAC	893 x 615 x 1953 mm	750 x 522 x 1647 mm	90	343	600	654	6	5
Q90.195.090.FU.WDAS	893 x 615 x 1953 mm	750 x 522 x 1647 mm	90	343	600	654	6	5
Q90.195.060	599 x 615 x 1953	450 x 522 x 1647 mm	90	265	600	894	4	5
Q90.195.060.R	599 x 615 x 1953	450 x 522 x 1647 mm	90	265	600	894	4	5
Q90.195.060.WDAC	599 x 615 x 1953	450 x 522 x 1647 mm	90	265	600	894	4	5
Q90.195.060.WDACR	599 x 615 x 1953	450 x 522 x 1647 mm	90	265	600	894	4	5
Q90.195.060.FD	599 x 615 x 1953	450 x 522 x 1647 mm	90	265	600	894	4	5
Q90.195.060.FU.WDAS	599 x 615 x 1953	450 x 522 x 1647 mm	90	265	600	894	4	5
Q90.195.060.FU.WDASR	599 x 615 x 1953	450 x 522 x 1647 mm	90	265	600	894	4	5
Q90.135.120	1193 x 615 x 1353 mm	1050 x 522 x 1047 mm	90	424	600	531	6	5
Q30.195.116	1164 x 620 x 1947 mm	1050 x 519 x 1626 mm	30	240	600	445	9	10
Q30.195.116.FU.WDAS	1164 x 620 x 1947 mm	1050 x 519 x 1626 mm	30	240	600	445	9	10
Q30.195.086.WD	864 x 620 x 1947 mm	750 x 519 x 1626 mm	30	195	600	568	6	10
Q30.195.086.WDR	864 x 620 x 1947 mm	750 x 519 x 1626 mm	30	195	600	568	6	10
Q30.195.086.WDFW	864 x 620 x 1947 mm	750 x 519 x 1626 mm	30	212	600	531	6	10
Q30.195.086.FU.WDAS	864 x 620 x 1947 mm	750 x 519 x 1626 mm	30	195	600	568	6	10
Q30.195.086.FU.WDASR	864 x 620 x 1947 mm	750 x 519 x 1626 mm	30	195	600	568	6	10
Q30.195.056	564 x 620 x 1947 mm	450 x 519 x 1626 mm	30	146	600	816	4	10
Q30.195.056.R	564 x 620 x 1947 mm	450 x 519 x 1626 mm	30	146	600	816	4	10
Q30.195.056.FU.WDAS	564 x 620 x 1947 mm	450 x 519 x 1626 mm	30	146	600	816	4	10
Q30.195.056.FU.WDASR	564 x 620 x 1947 mm	450 x 519 x 1626 mm	30	146	600	816	4	10
Q15.195.116	1164 x 620 x 1947 mm	1050 x 519 x 1626 mm	15	230	600	440	9	10
Q15.195.056	564 x 620 x 1947 mm	450 x 519 x 1626 mm	15	140	600	810	4	10
Q15.195.056.R	564 x 620 x 1947 mm	450 x 519 x 1626 mm	15	140	600	810	4	10

12.2. TABLE WITH STORAGE CAPACITIES

Legend for "Storage capacities" table



Load capacity (kg) of storage levels



Retention capacity (ltr.)



Maximum container volume in the cabinet (ltr.)

Q-LINE

Interior equipment	Load capacity (kg) of storage levels								Retention capacity (ltr.)								Maximum container volume in the cabinet (ltr.)							
	1	2	3	4	5	6	7	8	2	3	6	7	8	9	10	2	3	6	7	8	9	10		
Q90.195.120	75	150	50	120	75/135	60	100		33	33	29	66		33/55	33	30	30	26	60		30/50	30		
Q90.195.120.MV	75	150	50		75	25		50	22/11,5	11	4,5		7,5	11/22/33	11	20/10	10	4		6,5	10/20/30	10		
Q90.195.120.MM	75	150	50		75	25		50	22/11,5	11	4,5		7,5	11/22/33	11	20/10	10	4		6,5	10/20/30	10		
Q90.195.120.WDAC	75	150	50	120	75/135	60	100		33	33	29	66		33/55	33	30	30	26	60		30/50	30		
Q90.195.120.FD	75	150	50	120	75/135	60	100		33	33	29	66		33/55	33	30	30	26	60		30/50	30		
Q90.195.120.FU.WDAS	75				75									33								30		
Q90.195.120.ME.WDC				120										33								30		
Q90.195.090	75	150	50		75	60	100		22/23,5	22	19	45		22	22	20/21	20	17	40		20	20		
Q90.195.090.WDAC	75	150	50		75	60	100		22/23,5	22	19	45		22	22	20/21	20	17	40		20	20		
Q90.195.090.FU.WDAS	75	150			75				22/23,5					22		20/21						20		
Q90.195.060	75	150	50		75	25		50	22/11,5	11	4,5		7,5	11/22/33	11	20/10	10	4		6,5	10/20/30	10		
Q90.195.060.R	75	150	50		75	25		50	22/11,5	11	4,5		7,5	11/22/33	11	20/10	10	4		6,5	10/20/30	10		
Q90.195.060.WDAC	75	150	50		75	25		50	22/11,5	11	4,5		7,5	11/22/33	11	20/10	10	4		6,5	10/20/30	10		
Q90.195.060.WDACR	75	150	50		75	25		50	22/11,5	11	4,5		7,5	11/22/33	11	20/10	10	4		6,5	10/20/30	10		
Q90.195.060.FD	75	150	50		75	25		50	22/11,5	11	4,5		7,5	11/22/33	11	20/10	10	4		6,5	10/20/30	10		
Q90.195.060.FU.WDAS	75	150			75				22/11,5					22		20/10						20		
Q90.195.060.FU.WDASR	75	150			75				22/11,5					22		20/10						20		
Q90.135.120	75	150	50	120	75/135	60	100		33	33	29	66		33/55	33	30	30	26	60		30/50	30		
Q30.195.116	75	150	50	120	75/135	60	100		33	33	29	66		33/55	33	30	30	26	60		30/50	30		
Q30.195.116.FU.WDAS	75				75									33								30		
Q30.195.086.WD	75	150	50		75	60	100		22/23,5	22	19	45		22	22	20/21	20	17	40		20	20		
Q30.195.086.WDR	75	150	50		75	60	100		22/23,5	22	19	45		22	22	20/21	20	17	40		20	20		
Q30.195.086.WDFW	75	150	50		75	60	100		22/23,5	22	19	45		22	22	20/21	20	17	40		20	20		
Q30.195.086.FU.WDAS	75	150			75				22/23,5					22		20/21						20		
Q30.195.086.FU.WDASR	75	150			75				22/23,5					22		20/21						20		
Q30.195.056	75	150	50		75	25		50	22/11,5	11	4,5		7,5	11/22/33	11	20/10	10	4		6,5	10/20/30	10		
Q30.195.056.R	75	150	50		75	25		50	22/11,5	11	4,5		7,5	11/22/33	11	20/10	10	4		6,5	10/20/30	10		
Q30.195.056.FU.WDAS	75	150			75				22/11,5					22		20/10						20		
Q30.195.056.FU.WDASR	75	150			75				22/11,5					22		20/10						20		
Q15.195.116	75				75									33								30		
Q15.195.056	75				75									22								20		
Q15.195.056.R	75				75									22								20		

asecos GmbH

Sicherheit und Umweltschutz
Weiherfeldsiedlung 16-18
DE-63584 Gründau

☎ +49 6051 92200
✉ +49 6051 922010
@ info@asecos.com

Asecos BV

Veiligheid en milieubescherming
Christiaan Huygensweg 4
NL-2408 AJ Alphen a/d Rijn

☎ +31 172 506476
✉ +31 172 506541
@ info@asecos.nl

asecos SARL

Sécurité et protection de l'environnement
1, rue Pierre Simon de Laplace
FR-57070 Metz

☎ +33 3 87 78 62 80
@ info@asecos.fr

asecos S.L.

Seguridad y Protección del
Medio Ambiente
C/ Calderí, s/n – Ed. CIM Vallés, planta 7,
oficinas 75-77
ES-08130 – Santa Perpètua de Mogoda
Barcelona

☎ +34 935 745911
✉ +34 935 745912
@ info@asecos.es

asecos Ltd.

Safety and Environmental Protection
Profile House
Stores Road
Derby, Derbyshire
DE21 4BD

☎ +44 1332 415933
@ info@asecos.co.uk

asecos

Safety and Environmental Protection Inc.
c/o Schumann Burghart LLP
1500 Broadway, Suite 1902
NYC 10036, New York, USA

☎ +1 727 251 9491
✉ +49 6051 922010
@ info@asecos.com

asecos Schweiz AG

Sicherheit und Umweltschutz
Gewerbe Brunnmatt 5
CH-6264 Pfaffnau

☎ +41 62 754 04 57
✉ +41 62 754 04 58
@ info@asecos.ch

asecos AB

Säkerhet och miljöskydd
Skyttelgatan 25
753 42 Uppsala

☎ +46 18 34 95 55
@ info@asecos.se